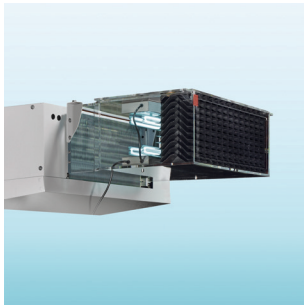


AirStream V

saugend . suction

drückend . compression



896295000008P

Module for suction or compression evaporators, placement directly before the air outlet of the evaporator, module made from stainless steel 1.4301, functional check via inspection window with UV protection filter, module access via inspection lid, UV-C emitter with special interior coating of the quartz glass for long service life with low irradiation fall-off, number and rating of the UV-C emitters dependent on the required air flow rate

UV-C technology

Number of emitters	project-related
Emitter type	289503A(T)
Emitter power	95 W
Protection rating . Protection class	IP 20 . I
Emitter service life	9,000 h

Unit geometry

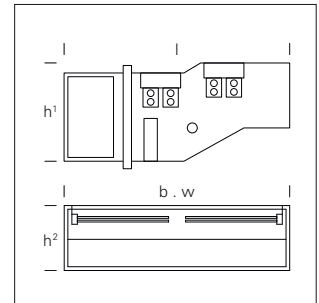
Width	project-related
Length	
Height	

Performance data

Supply voltage	230 V
Frequency	50-60 Hz
Power consumption	project-related
Air flow rate	as per evaporator project planning

Accessories . Options

Tube connecting sleeves
Protection rating IP 65



Areas of deployment

All evaporators without humidification

Project planning

Each module is individually designed for the existing or planned evaporator and precisely customised in terms of performance and dimensions

Note

A special Teflon coating of the UV-C emitters guarantees optimum radiant efficiency even at low temperatures