

UV-C moisture-proof luminaire

UV-C TECHNOLOGY

Number of emitters	1
Emitter type . Emitter power	365503 . 55 W
Protection rating . Protection class	IP65 . I
Emitter service life	9,000 h

UNIT GEOMETRY

Width	64 mm
Length	1.220 mm
Height	101 mm
Weight	2.8 kg

PERFORMANCE DATA

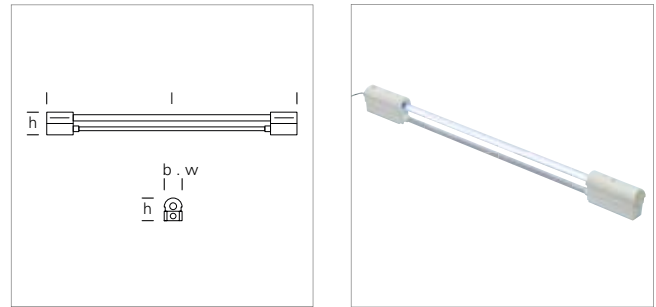
Power consumption	66 W
Supply voltage	230 V
Frequency	50-60 Hz

ACCESSORIES . OPTIONS

UV-C emitter with Teflon sheath

ORDER NUMBER

UV-C moisture-proof luminaire	893455034
	incl. UV-C emitter
	893455034T
	incl. UV-C emitter with
	Teflon sheath



UV-C moisture-proof luminaire, luminaire made of stainless steel and plastic, integrated ballast, ready for connection, inclusive emitters, UV-C emitter with special interior coating of the quartz glass for long service life with low irradiation fall-off

Areas of deployment: Air and surface disinfection in wet areas and dusty rooms

Advice: All data are typical values, system features may change with product improvements due to technical advances, errors excepted