

## UV-C-SurTech L

### UV-C TECHNOLOGY

Number of emitters	2
Emitter type . Emitter power	362503 . 25 W 364003 . 40 W 36600 . 60 W 367003 . 70 W
Protection rating . Protection class	IP 65 . I
Emitter service life	9,000 h

### UNIT GEOMETRY

Width	215 mm
Length	662 . 817 . 997 . 1317 mm
Height	60 mm
Weight	5.0-15.0 kg

### PERFORMANCE DATA

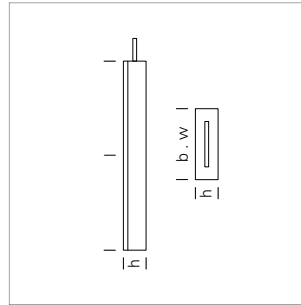
Power consumption	50 W
Supply voltage	230 V
Frequency	50-60 Hz
Irradiated area width	135 mm
Irradiated area length	466 . 634 . 804 . 1205 mm

### ACCESSORIES . OPTIONS

Bearings  
Shatter protection

### ORDER NUMBER

UV-C surface disinfection	892225 (25 W) 892240 (40 W) 892260 (60 W) 892270 (70 W)
---------------------------	--



UV-C radiation cassette, protected against water splashes, housing made from stainless steel 1.4301, UV-C emitter with special interior coating of the quartz glass for long service life with low irradiation fall-off, separate electronic ballast (IP 55), optional insert frame for mounting the cassette

Areas of deployment: Surface disinfection for conveyor belts and packaging, filling and sealing machines

Advice: All data are typical values, system features may change with product improvements due to technical advances, errors excepted

## UV-C-SurTech L

### UV-C TECHNOLOGY

Number of emitters	4
Emitter type . Emitter power	362503 . 25 W 364003 . 40 W 36600 . 60 W 367003 . 70 W
Protection rating . Protection class	IP 65 . I
Emitter service life	9,000 h

### UNIT GEOMETRY

Width	345 mm
Length	662 . 817 . 997 . 1317 mm
Height	60 mm
Weight	5.0-15.0 kg

### PERFORMANCE DATA

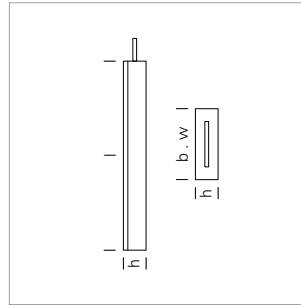
Power consumption	160 W
Supply voltage	230 V
Frequency	50-60 Hz
Irradiated area width	265 mm
Irradiated area length	466 . 634 . 804 . 1205 mm

### ACCESSORIES . OPTIONS

Bearings  
Shatter protection

### ORDER NUMBER

UV-C surface disinfection	892425 (25 W) 892440 (40 W) 892460 (60 W) 892470 (70 W)
---------------------------	--



UV-C radiation cassette, protected against water splashes, housing made from stainless steel 1.4301, UV-C emitter with special interior coating of the quartz glass for long service life with low irradiation fall-off, separate electronic ballast (IP 55), optional insert frame for mounting the cassette

Areas of deployment: Surface disinfection for conveyor belts and packaging, filling and sealing machines

Advice: All data are typical values, system features may change with product improvements due to technical advances, errors excepted