

## UV-C compact luminaire

### UV-C TECHNOLOGY

Number of emitters	2
Emitter type . Emitter power	289503A . 2 x 95 W
Protection rating . Protection class	IP20 . I
Emitter service life	9,000 h

---

### UNIT GEOMETRY

Width	170 mm
Length	561 mm
Height	84 mm
Weight	4.1 kg

---

### PERFORMANCE DATA

Power consumption	210 W
Supply voltage	120-277 V
Frequency	50-60 Hz

---

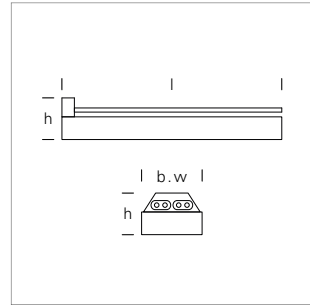
### ACCESSORIES . OPTIONS

UV-C emitter with Teflon sheath

---

### ORDER NUMBER

UV-C compact luminaire 896295008L



UV-C compact luminaire for air and surface disinfection, specially for deployment in situations with limited space, two UV-C compact emitters, housing made of stainless steel 1.4301, integrated electronic ballast, UV-C emitter with special interior coating of the quartz glass for long service life with low irradiation fall-off

Areas of deployment: Air and surface disinfection in environments with up to 95% air humidity

Advice: All data are typical values, system features may change with product improvements due to technical advances, errors excepted